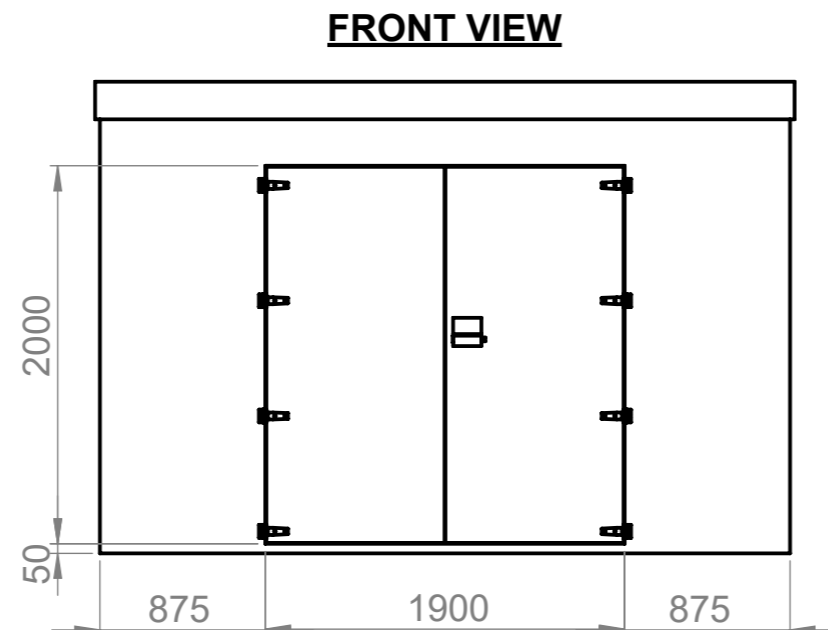
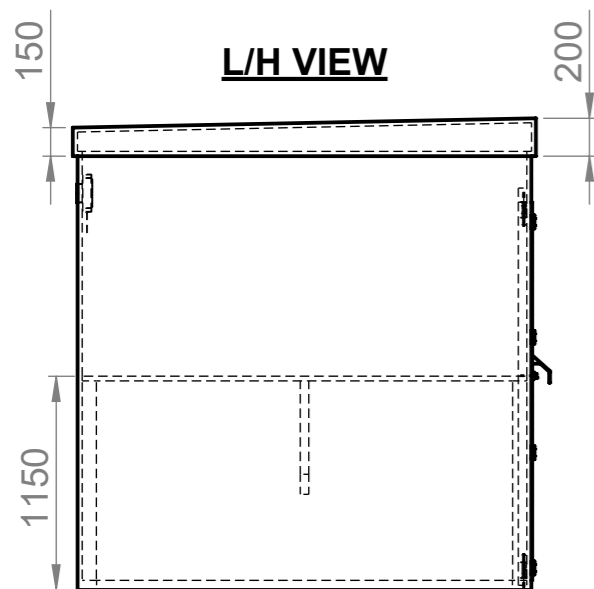
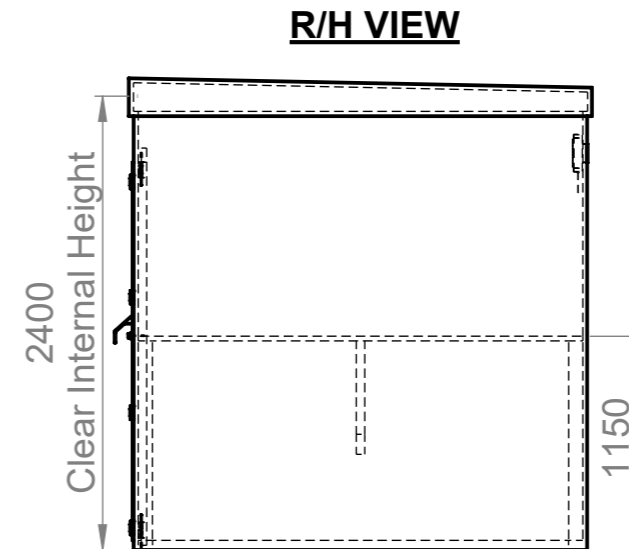
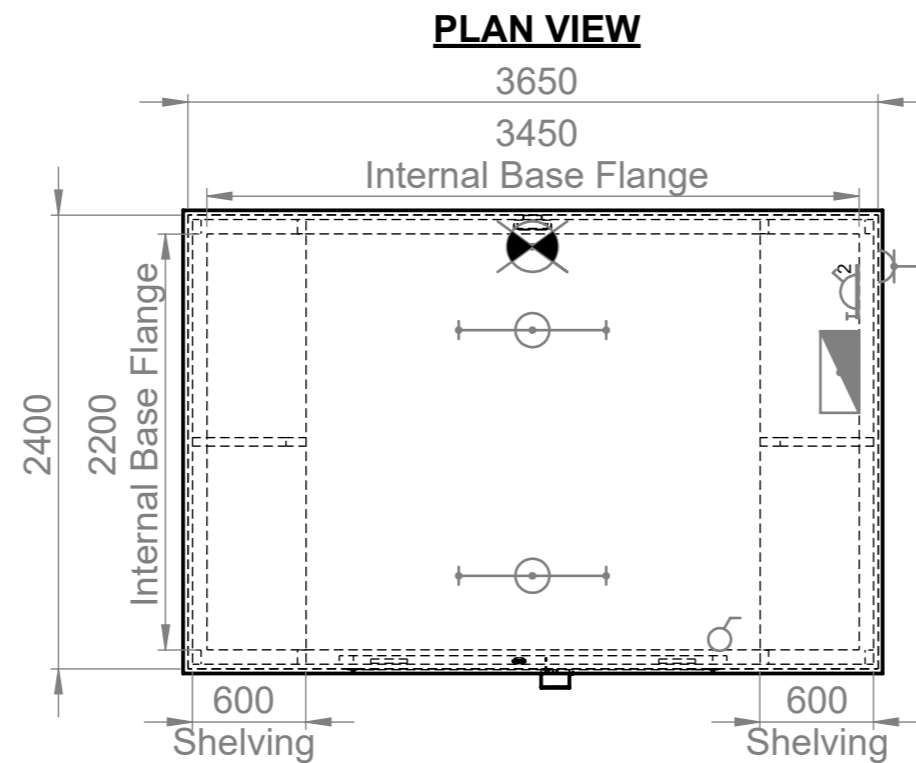
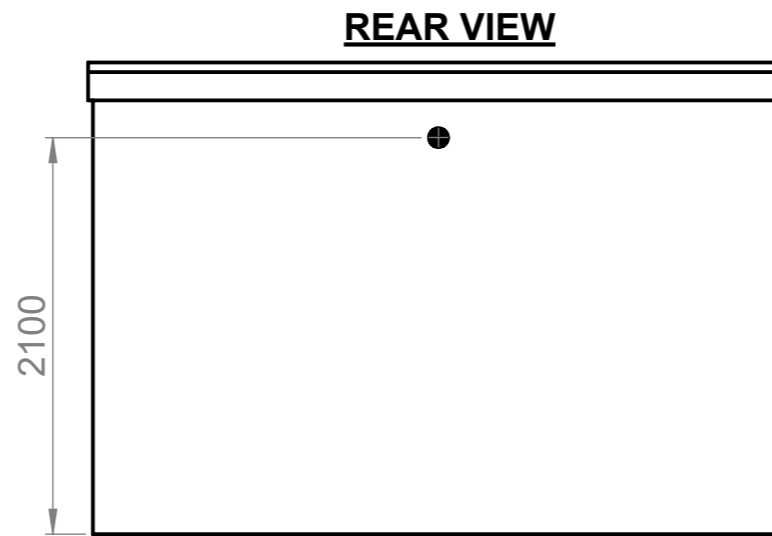


| SYMBOL | DESCRIPTION   | QUANTITY |
|--------|---|----------|
|        | LIGHTS C/W SMASH GUARD AND MOISTURE PROOF WIRING          | 2        |
|        | LIGHT SWITCH  | 1        |
|        | 4" EXTRACTOR FAN 150CFM TO RUN 24/7 FROM LIGHTING CIRCUIT | 1        |
|        | 16 AMP COMMANDO SOCKET TO ALLOW FOR EXTERNAL POWER SUPPLY | 1        |
|        | EXTERNAL OUTDOOR SWITCHED SOCKET OUTLET                   | 1        |
|        | MCB   | 1        |



PROJECTION: THIRD ANGLE  
 DO NOT SCALE DRAWING IF IN DOUBT ASK A3

**GENERAL DRAWING NOTES**  
 GRP Kiosk:  
 Dimensions:  
 3650mm x 2400mm x 2400mmHigh  
 The height is the clear internal height. The internal height will be reduced if the kiosk is mounted on a stepped concrete base. All other dimensions are external.

**Construction**  
**Monolith**  
 All round base flange to allow bolting down, no integral floor.  
 Ply / GRP composite. Wall 18mm Ply, Roof 12mm ply.  
 External resins to BS476 Part 7: Class 2 (surface spread of flame) to provide self extinguishing laminates.  
 "U" value is no more than 1.5W/m2°c  
 Lifting lugs  
 Aluminium 600mm deep shelving  
 GRP Base c/w GRP Grating

**Finish**  
 External standard texture finish.  
 External Colour: TBC  
 Internal GRP white BS4800 - 00/E/55.

**Access**  
 Double Door 1900mm x 2000mmH  
 Aluminium door trim surround  
 Door stay  
 ST/ST Hinges  
 3 way locking inc st/st padlockable handle  
 ST/ST Shroud

| REV | DATE | REQ BY | AMENDMENTS |
|-----|------|--------|------------|
|     |      |        |            |
|     |      |        |            |
|     |      |        |            |
|     |      |        |            |
|     |      |        |            |
|     |      |        |            |
|     |      |        |            |
|     |      |        |            |
|     |      |        |            |

JOB REF **CLEARWATER**

UNLESS OTHERWISE SPECIFIED:  
 DIMENSIONS ARE IN MILLIMETERS  
 TOLERANCES:±  
 WEIGHT APPROX - 1250KG

TITLE **GRP KIOSK**  
**3650MM (W) X 2400MM (D) X 2400MM (CIH)**

|          | NAME | SIGNATURE | DATE       |
|----------|------|-----------|------------|
| DRAWN    | FD   | FD        | 05/05/2026 |
| CHECKED  |      |           | 05/05/2026 |
| APPROVED |      |           |            |

**ClearWater**  
 Water Recycling Systems

A division of Acumen Waste Services

DWG NO. **4340** REVISION **B** SHEET 1 OF 3



**GENERAL DRAWING NOTES**

GRP Kiosk:  
Dimensions  
3650mm x 2400mm x 2400mm High  
The height is the clear internal height. The internal height will be reduced if the kiosk is mounted on a stepped concrete base. All other dimensions are external.

Construction  
**Monolith**  
All round base flange to allow bolting down, no integral floor.  
Ply / GRP composite. Wall 18mm Ply, Roof 12mm ply.  
External resins to BS476 Part 7: Class 2 (surface spread of flame) to provide self extinguishing laminates.  
"U" value is no more than 1.5W/m<sup>2</sup>c  
Lifting lugs  
Aluminium 600mm deep shelving  
GRP Base c/w GRP Grating

Finish  
External standard texture finish.  
External Colour: TBC  
Internal GRP white BS4800 - 00/E/55.

Access  
Double Door 1900mm x 2000mm H  
Aluminium door trim surround  
Door stay  
ST/ST Hinges  
3 way locking inc st/st padlockable handle  
ST/ST Shroud

| REV | DATE | REQ BY | AMENDMENTS |
|-----|------|--------|------------|
|     |      |        |            |
|     |      |        |            |
|     |      |        |            |
|     |      |        |            |
|     |      |        |            |

JOB REF **CLEARWATER**

UNLESS OTHERWISE SPECIFIED:  
DIMENSIONS ARE IN MILLIMETERS  
TOLERANCES: ±

WEIGHT  
APPROX - 1250KG

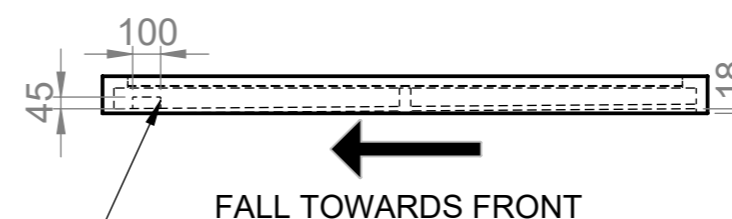
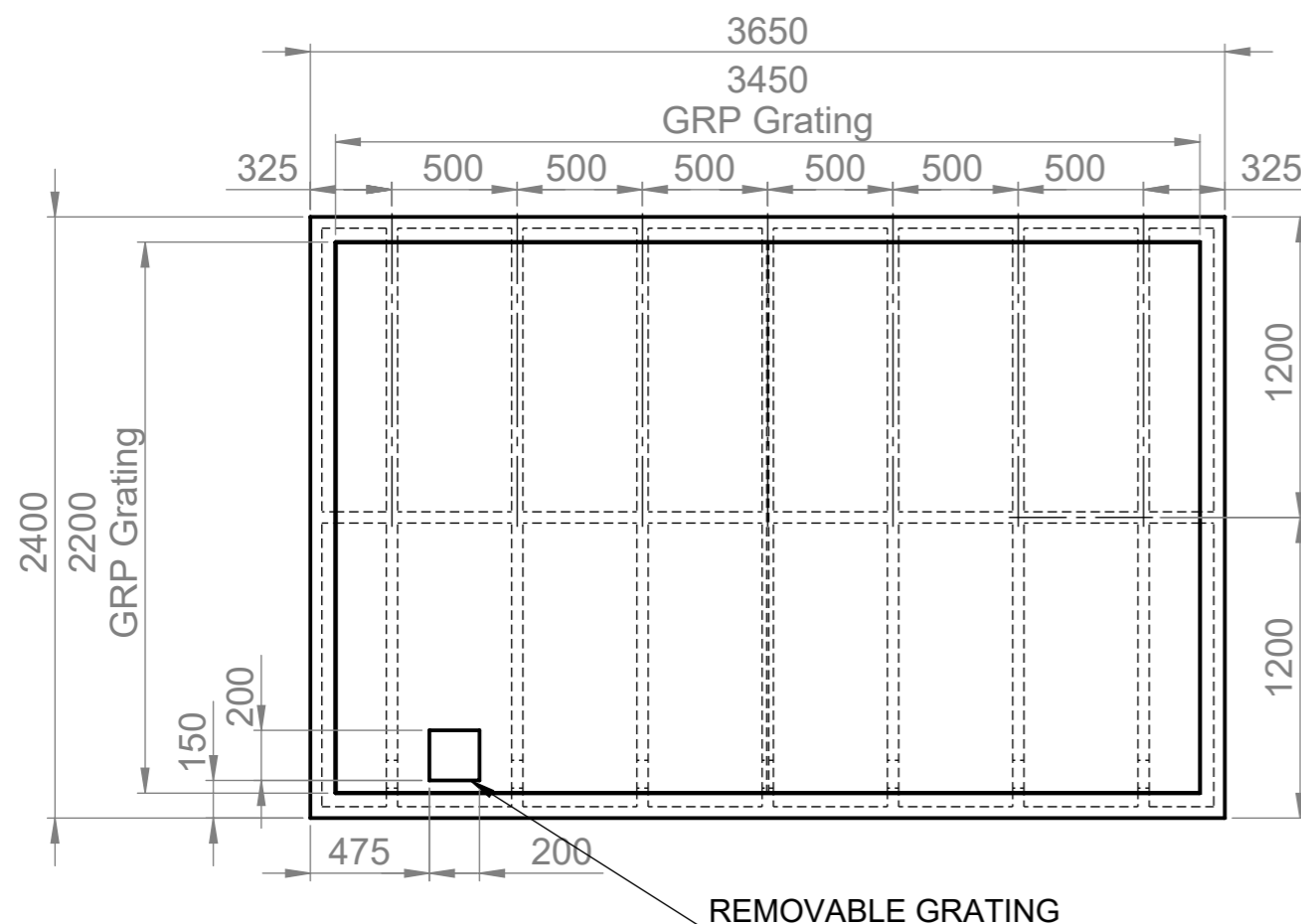
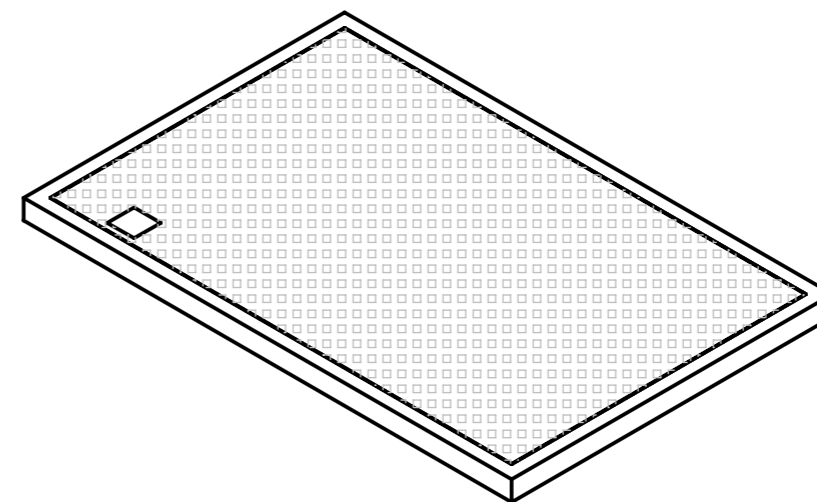
TITLE  
**GRP KIOSK**  
**3650MM (W) X 2400MM (D) X 2400MM (CIH)**

|          | NAME | SIGNATURE | DATE       |
|----------|------|-----------|------------|
| DRAWN    | FD   | FD        | 05/05/2026 |
| CHECKED  |      |           | 05/05/2026 |
| APPROVED |      |           |            |



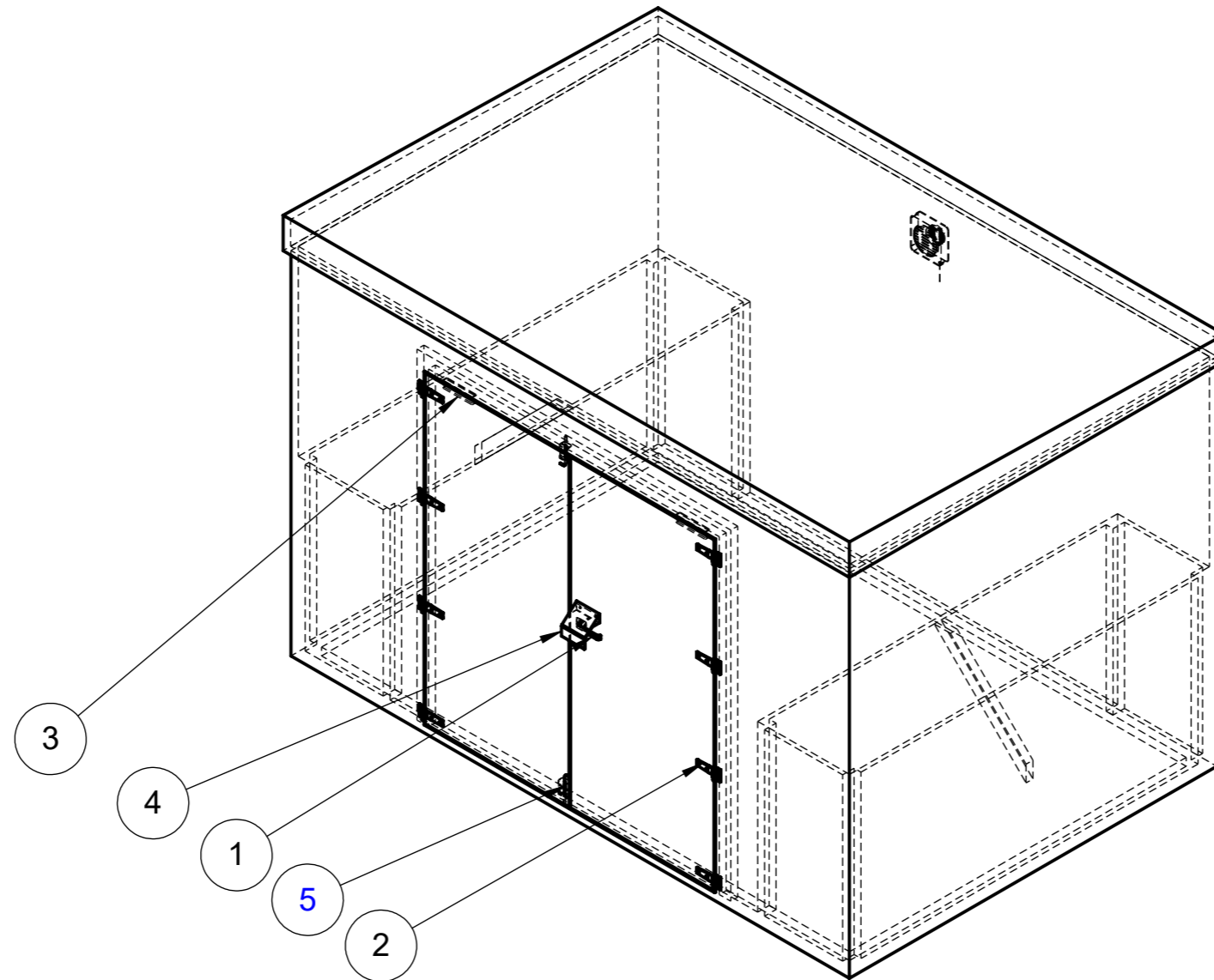
A division of Acumen Waste Services

DWG NO. **4340** REVISION **B** SHEET 2 OF 3



CUT-OUTS IN TIMBER TRUSS' TO ENABLE DRAINAGE OF LIQUIDS

| ITEM NO. | PART NUMBER  | QTY. |
|----------|--|------|
| 1        | THREE POINT LOCKING SYSTEM<br>C/W PADLOCKABLE HANDLE | 1    |
| 2        | ST/ST HINGES   | 8    |
| 3        | DOOR STAYS   | 2    |
| 4        | ST/ST SHROUD   | 1    |
| 5        | SHOOT BOLTS  | 2    |



PROJECTION:  
THIRD ANGLE



DO NOT SCALE  
DRAWING  
IF IN DOUBT ASK A3

**GENERAL DRAWING NOTES**

GRP Kiosk:  
Dimensions  
3650mm x 2400mm x 2400mmHigh  
The height is the clear internal height. The internal height will be reduced if the kiosk is mounted on a stepped concrete base. All other dimensions are external.

Construction  
**Monolith**  
All round base flange to allow bolting down, no integral floor.  
Ply / GRP composite. Wall 18mm Ply, Roof 12mm ply.  
External resins to BS476 Part 7: Class 2 (surface spread of flame) to provide self extinguishing laminates.  
"U" value is no more than 1.5W/m2°C  
Lifting lugs  
Aluminium 600mm deep shelving  
GRP Base c/w GRP Grating

Finish  
External standard texture finish.  
External Colour: TBC  
Internal GRP white BS4800 - 00/E/55.

Access  
Double Door 1900mm x 2000mmH  
Aluminium door trim surround  
Door stay  
ST/ST Hinges  
3 way locking inc st/st padlockable handle  
ST/ST Shroud

| REV | DATE | REQ BY | AMENDMENTS |
|-----|------|--------|------------|
|     |      |        |            |
|     |      |        |            |
|     |      |        |            |
|     |      |        |            |
|     |      |        |            |
|     |      |        |            |

JOB REF  
**CLEARWATER**

UNLESS OTHERWISE SPECIFIED:  
DIMENSIONS ARE IN MILLIMETERS  
TOLERANCES:±

WEIGHT  
APPROX - 1250KG

TITLE  
**GRP KIOSK  
3650MM (W) X 2400MM (D) X 2400MM (CIH)**

|          | NAME | SIGNATURE | DATE       |
|----------|------|-----------|------------|
| DRAWN    | FD   | FD        | 05/05/2026 |
| CHECKED  |      |           | 05/05/2026 |
| APPROVED |      |           |            |

**ClearWater**  
Water Recycling Systems

A division of Acumen Waste Services

DWG NO. **4340** REVISION **B** SHEET 3 OF 3