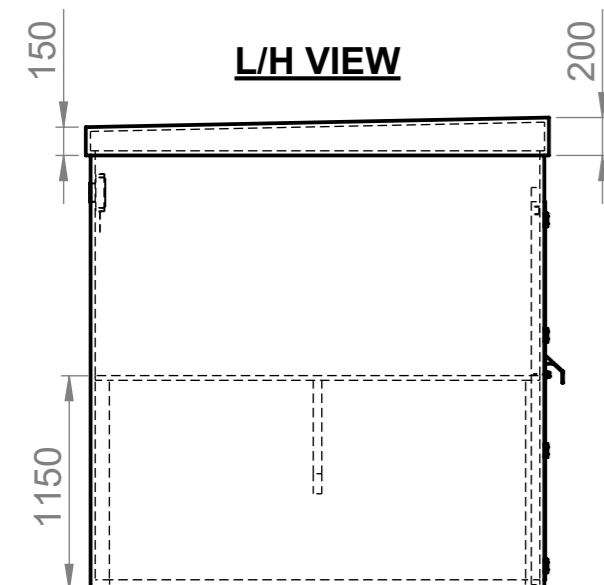
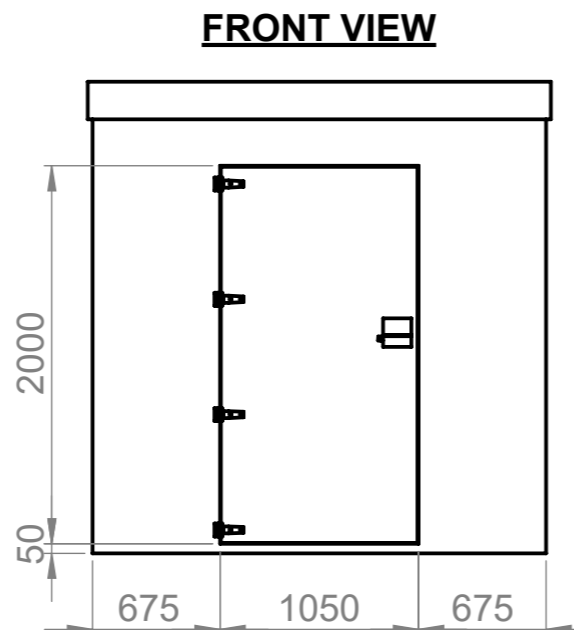
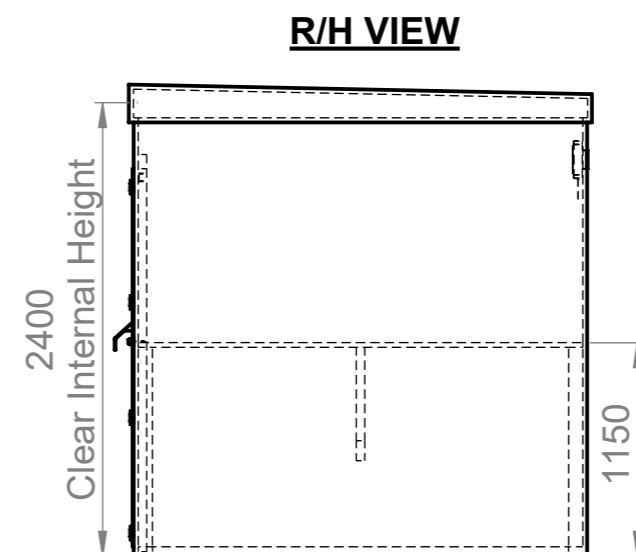
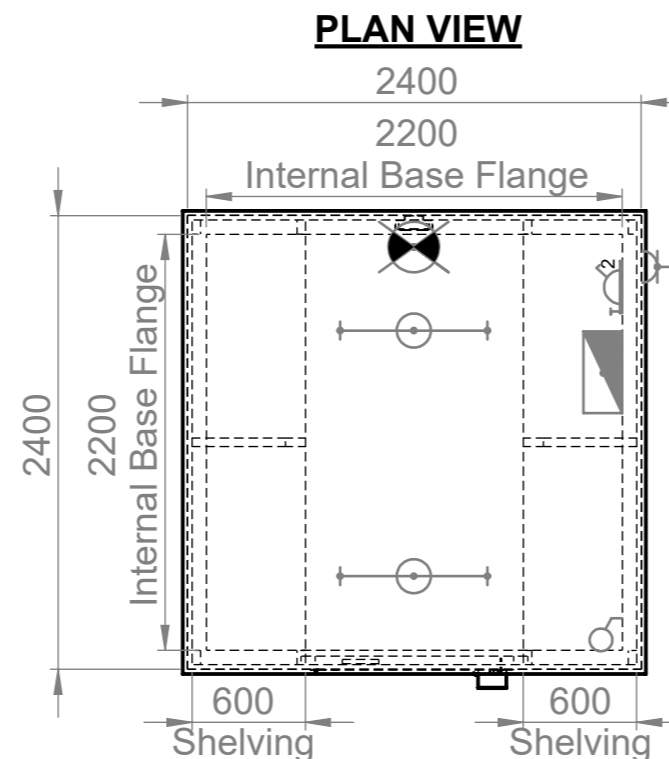
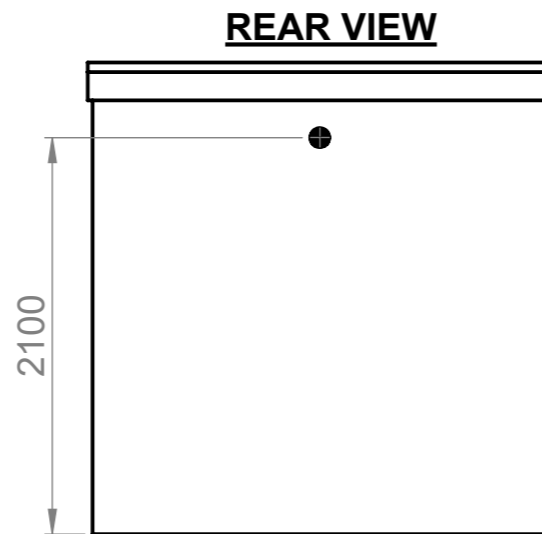


SYMBOL	DESCRIPTION	QUANTITY
	LIGHTS C/W SMASH GUARD AND MOISTURE PROOF WIRING	2
	LIGHT SWITCH	1
	4" EXTRACTOR FAN 150CFM TO RUN 24/7 FROM LIGHTING CIRCUIT	1
	16 AMP COMMANDO SOCKET TO ALLOW FOR EXTERNAL POWER SUPPLY	1
	EXTERNAL OUTDOOR SWITCHED SOCKET OUTLET	1
	MCB	1



PROJECTION: THIRD ANGLE
 DO NOT SCALE DRAWING IF IN DOUBT ASK A3

GENERAL DRAWING NOTES

GRP Kiosk:
 Dimensions
 2400mm x 2400mm x 2400mm High
 The height is the clear internal height. The internal height will be reduced if the kiosk is mounted on a stepped concrete base. All other dimensions are external.

Construction
Monolith
 All round base flange to allow bolting down, no integral floor.
 Ply / GRP composite. Wall 18mm Ply, Roof 12mm ply.
 External resins to BS476 Part 7: Class 2 (surface spread of flame) to provide self extinguishing laminates.
 "U" value is no more than 1.5W/m2°C
 Lifting lugs
 Aluminium 600mm deep shelving
 GRP Base c/w GRP Grating

Finish
 External standard texture finish.
 External Colour: TBC
 Internal GRP white BS4800 - 00/E/55.

Access
 Single Door 1050mm x 2000mm H
 Aluminium door trim surround
 Door stay
 ST/ST Hinges
 3 way locking inc st/st padlockable handle
 ST/ST Shroud

REV	DATE	REQ BY	AMENDMENTS

JOB REF
CLEARWATER

UNLESS OTHERWISE SPECIFIED:
 DIMENSIONS ARE IN MILLIMETERS
 TOLERANCES: ±
 WEIGHT
 APPROX - 1467KG

TITLE
GRP KIOSK
2400MM (W) X 2400MM (D) X 2400MM (CIH)

	NAME	SIGNATURE	DATE
DRAWN	FD	FD	15/05/2026
CHECKED			15/05/2026
APPROVED			

ClearWater
 Water Recycling Systems

A division of Acumen Waste Services

DWG NO. **4339** REVISION **C** SHEET 1 OF 3



GENERAL DRAWING NOTES

GRP Kiosk:
Dimensions
2400mm x 2400mmHigh
The height is the clear internal height. The internal height will be reduced if the kiosk is mounted on a stepped concrete base. All other dimensions are external.

Construction
Monolith
All round base flange to allow bolting down, no integral floor.
Ply / GRP composite. Wall 18mm Ply, Roof 12mm ply.
External resins to BS476 Part 7: Class 2 (surface spread of flame) to provide self extinguishing laminates.
"U" value is no more than 1.5W/m2°C
Lifting lugs
Aluminium 600mm deep shelving
GRP Base c/w GRP Grating

Finish
External standard texture finish.
External Colour: TBC
Internal GRP white BS4800 - 00/E/55.

Access
Single Door 1050mm x 2000mmH
Aluminium door trim surround
Door stay
ST/ST Hinges
3 way locking inc st/st padlockable handle
ST/ST Shroud

REV	DATE	REQ BY	AMENDMENTS

JOB REF
CLEARWATER

UNLESS OTHERWISE SPECIFIED:
DIMENSIONS ARE IN MILLIMETERS
TOLERANCES:±

WEIGHT
APPROX - 1467KG

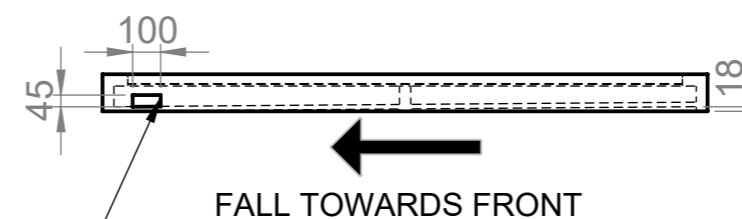
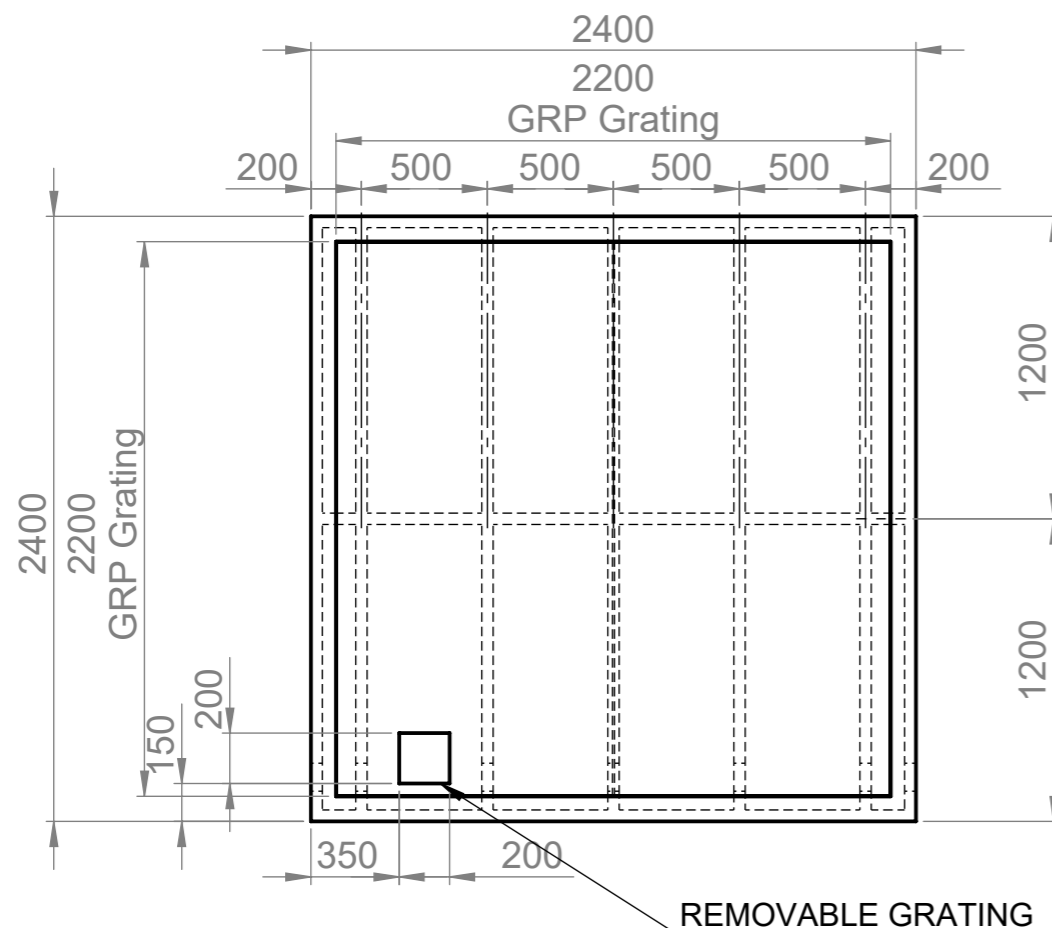
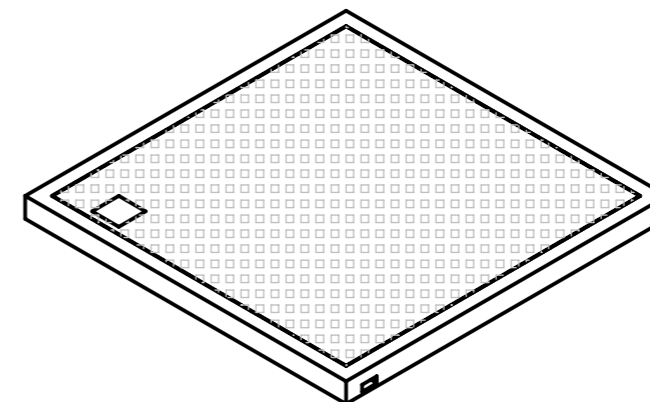
TITLE
**GRP KIOSK
2400MM (W) X 2400MM (D) X 2400MM (CIH)**

	NAME	SIGNATURE	DATE
DRAWN	FD	FD	15/05/2026
CHECKED			15/05/2026
APPROVED			

ClearWater
Water Recycling Systems

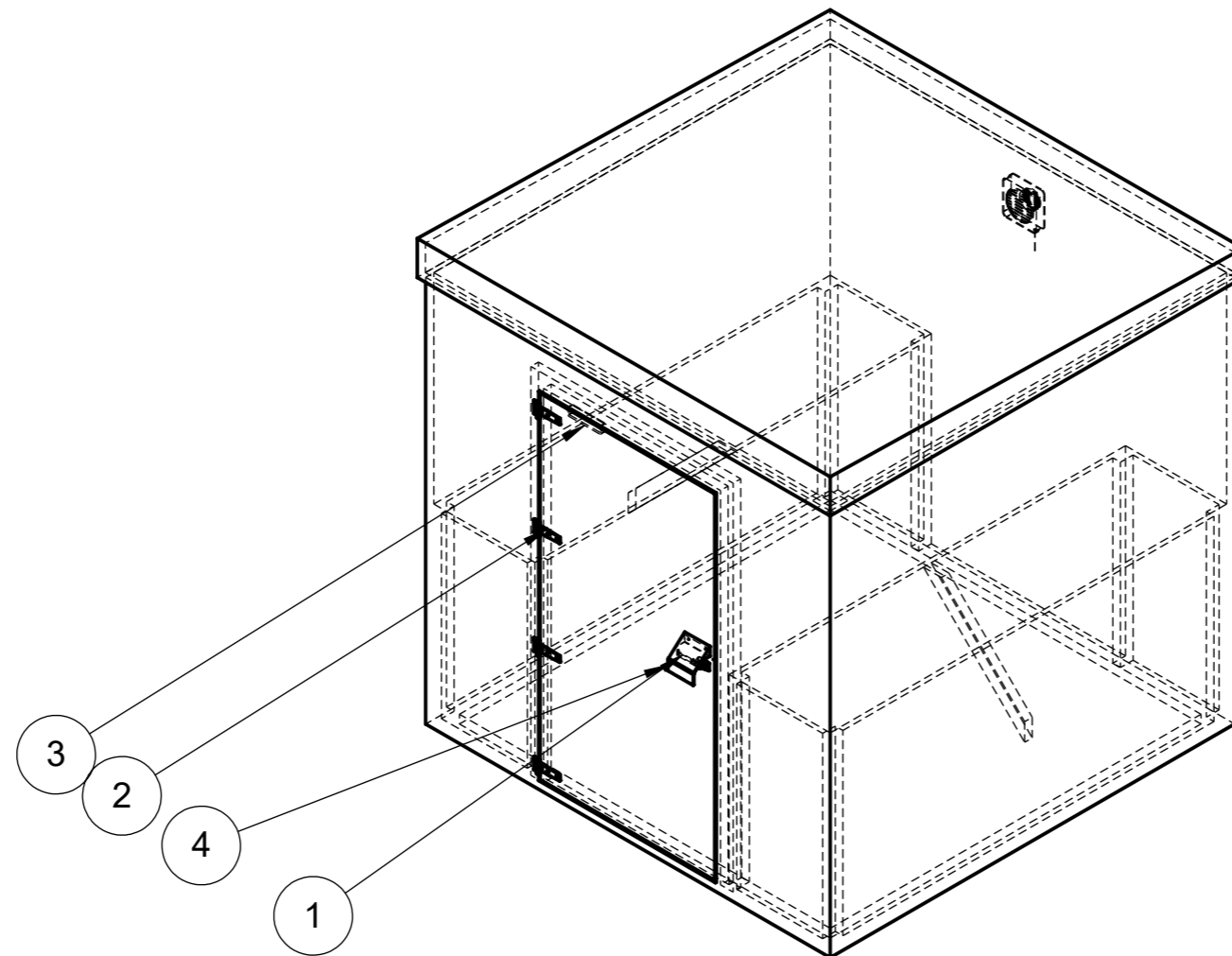
A division of Acumen Waste Services

DWG NO. **4339** REVISION **C** SHEET 2 OF 3



CUT-OUTS IN TIMBER TRUSS' TO ENABLE DRAINAGE OF LIQUIDS

ITEM NO.	PART NUMBER	QTY.
1	THREE POINT LOCKING SYSTEM C/W PADLOCKABLE HANDLE	1
2	ST/ST HINGES	4
3	DOOR STAYS	1
4	ST/ST SHROUD	1



PROJECTION:
THIRD ANGLE



DO NOT SCALE
DRAWING
IF IN DOUBT ASK A3

GENERAL DRAWING NOTES

GRP Kiosk:
Dimensions
2400mm x 2400mm x 2400mm High
The height is the clear internal height. The internal height will be reduced if the kiosk is mounted on a stepped concrete base. All other dimensions are external.

Construction

Monolith
All round base flange to allow bolting down, no integral floor.
Ply / GRP composite. Wall 18mm Ply, Roof 12mm ply.
External resins to BS476 Part 7: Class 2 (surface spread of flame) to provide self extinguishing laminates.
"U" value is no more than 1.5W/m²c
Lifting lugs
Aluminium 600mm deep shelving
GRP Base c/w GRP Grating

Finish

External standard texture finish.
External Colour: TBC
Internal GRP white BS4800 - 00/E/55.

Access

Single Door 1050mm x 2000mm H
Aluminium door trim surround
Door stay
ST/ST Hinges
3 way locking inc st/st padlockable handle
ST/ST Shroud

REV	DATE	REQ BY	AMENDMENTS

JOB REF
CLEARWATER

UNLESS OTHERWISE SPECIFIED:
DIMENSIONS ARE IN MILLIMETERS
TOLERANCES: ±

WEIGHT
APPROX - 1467KG

TITLE
**GRP KIOSK
2400MM (W) X 2400MM (D) X 2400MM (CIH)**

	NAME	SIGNATURE	DATE
DRAWN	FD	FD	15/05/2026
CHECKED			15/05/2026
APPROVED			

ClearWater
Water Recycling Systems

A division of Acumen Waste Services

DWG NO. **4339** REVISION **C** SHEET 3 OF 3