

REV	A	DATE	07.04.16	LT	BT	KB	CHRD	RP	APPO	ISSUED FOR INFORMATION	Conforms to EN858 (DIN 1999) - full approvals available for inspection TOLERANCES (unless noted otherwise) GENERAL LINEAR DIMS: ± 0.5 mm ANGULAR DIMENSIONS: $\pm 1/2^\circ$	
										DO NOT SCALE IF IN DOUBT ASK ALL DIMENSIONS IN MM	This drawing is copyright and cannot be reproduced or passed to those other than intended without the written permission of Highspeed Group Ltd	
										Designed by LT 05/06/2023	Checked by KB 07/04/2016	Approved by RP 07/04/2016
ClearWater Water Recycling Systems <small>A Division of Cleanaway Waste Services</small>											10,000 litre Triple Chamber ClearWater Washpad Water Recycling System Tank Sheet 1 / 1	
GA4297												

PUMP SHELF

DO NOT CUT SHELL

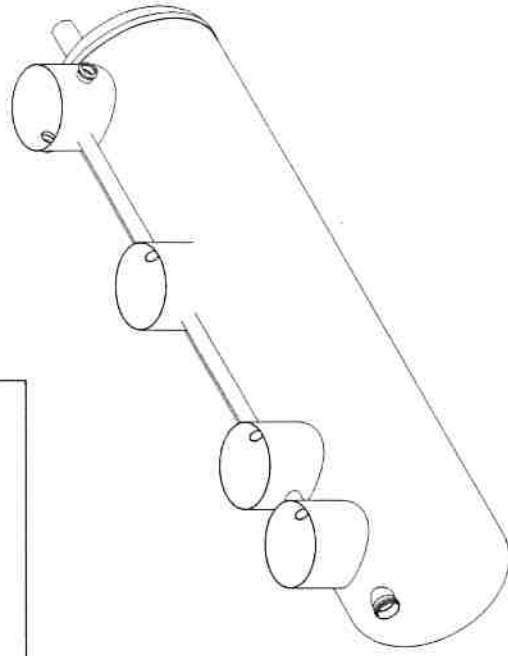
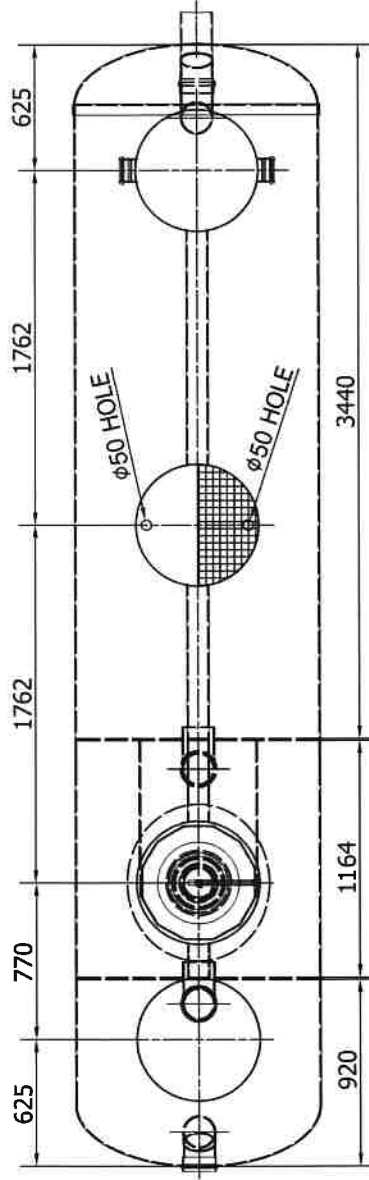
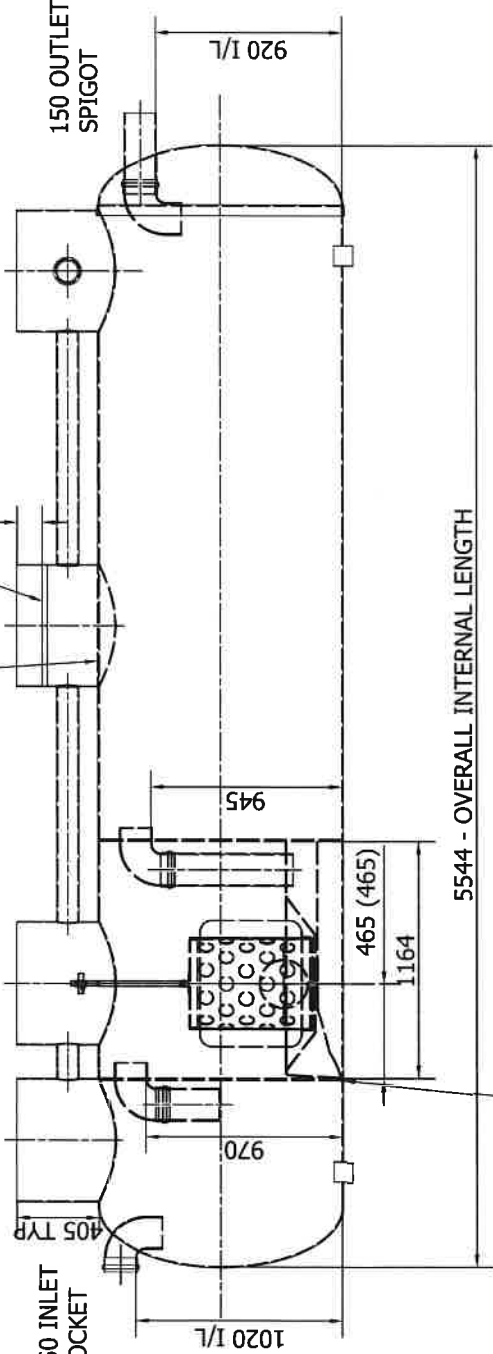
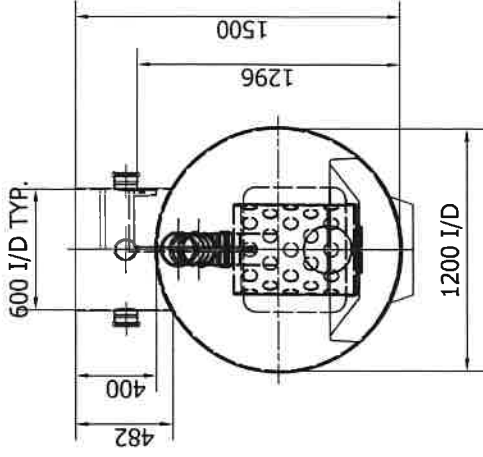
150 INLET
SOCKET

150 OUTLET
SPIGOT

BAFFLES TO BE
STRUCTURAL

5544 - OVERALL INTERNAL LENGTH

CHALK FINISH NOT GREY



REV	DATE	BY	CHKD	APPRD	DESCRIPTION
2	27.01.15	LT	KB	KB	PUMP SHELF ADDED, 2 X ϕ 50 HOLES ADDED & ISSUED FOR MANUFACTURE
1	18.06.13	MH	KB	PJ	ISSUED FOR MANUFACTURE
A	22.06.11	DG	RU	RP	ISSUED FOR APPROVAL Conforms to EN858 (DIN 1999) - full approvals available for inspection

DO NOT SCALE
IF IN DOUBT ASK
ALL DIMENSIONS IN MM

TOLERANCES (unless noted otherwise)
GENERAL LINEAR DIMS : +/- 5mm
ANGULAR DIMENSIONS : +/- 1/2°

This drawing is copyright and cannot be reproduced or passed to those other than intended without the written permission of Highspeed Group Ltd

Designed by	DG	05/06/2023	Checked by	RU	22/06/2011	Approved by	RP	22/06/2011
5000 litre Triple Chamber ClearWater			Washpad Water Recycling System Tank			GA3118		
ClearWater			Water Recycling Systems			A Division of Accumen Waste Services		
Sheet			1 / 1					